

### General Description:

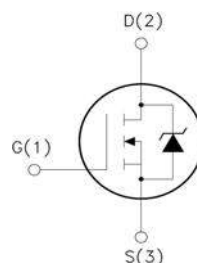
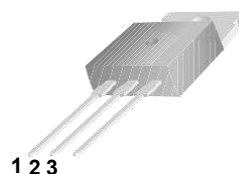
240N06, the silicon N-channel Enhanced VDMOSFETs, is obtained by advanced Trench Technology which reduce the conduction loss, improve switching performance and enhance the avalanche energy. The transistor can be used in various power switching circuit for system miniaturization and higher efficiency. The package form is TO-220AB, which accords with the RoHS standard.

$V_{DSS}$	60	V
$I_D$ (Silicon limited current)	240	A
$I_D$ (Package limited current)	120	A
$P_D(T_C=25^\circ\text{C})$	297.6	W
$R_{DS(ON)Typ}$	2.5	m $\Omega$

### Features:

- I Fast Switching
- I Low ON Resistance
- I Low Gate Charge
- I Low Reverse transfer capacitances(Typical:504pF)
- I 100% Single Pulse avalanche energy Test

### TO-220AB



- 1.Gate (G)
- 2.Drain (D)
- 3.Source (S)

### Applications:

Power switch circuit of adaptor and charger.

### Absolute ( $T_J = 25^\circ\text{C}$ unless otherwise specified):

Symbol	Parameter	Rating	Units
$V_{DSS}$	Drain-to-Source Voltage	60	V
$I_D$	Continuous Drain Current $T_C = 25^\circ\text{C}$ (Silicon limited)	240	A
	Continuous Drain Current $T_C = 25^\circ\text{C}$ (Package limited) <sup>a1</sup>	120	A
	Continuous Drain Current $T_C = 100^\circ\text{C}$ (Package limited) <sup>a1</sup>	120	A
$I_{DM}^{a1}$	Pulsed Drain Current $T_C = 25^\circ\text{C}$	480	A
$V_{GS}$	Gate-to-Source Voltage	$\pm 20$	V
$E_{AS}^{a2}$	Single Pulse Avalanche Energy	1089	mJ
$P_D$	Power Dissipation $T_C = 25^\circ\text{C}$	297.6	W
	Derating Factor above $25^\circ\text{C}$	2.38	W/ $^\circ\text{C}$
$T_J, T_{stg}$	Operating Junction and Storage Temperature Range	150, -55 to 150	$^\circ\text{C}$
$T_L$	Maximum Temperature for Soldering	300	$^\circ\text{C}$

**Electrical Characteristics** ( $T_J = 25^\circ\text{C}$  unless otherwise specified):

<b>OFF Characteristics</b>						
Symbol	Parameter	Test Conditions	Rating			Units
			Min.	Typ.	Max.	
$V_{DSS}$	Drain to Source Breakdown Voltage	$V_{GS}=0V, I_D=250\mu A$	60	--	--	V
$I_{DSS}$	Drain to Source Leakage Current	$V_{DS}=60V, V_{GS}=0V, T_J=25^\circ\text{C}$	--	--	1	$\mu A$
		$V_{DS}=48V, V_{GS}=0V, T_J=125^\circ\text{C}$	--	--	100	$\mu A$
$I_{GSS(F)}$	Gate to Source Forward Leakage	$V_{GS}=+20V$	--	--	100	nA
$I_{GSS(R)}$	Gate to Source Reverse Leakage	$V_{GS}=-20V$	--	--	-100	nA

<b>ON Characteristics</b>						
Symbol	Parameter	Test Conditions	Rating			Units
			Min.	Typ.	Max.	
$R_{DS(ON)}$	Drain-to-Source On-Resistance	$V_{GS}=10V, I_D=95A$	--	2.5	3	m $\Omega$
$V_{GS(TH)}$	Gate Threshold Voltage	$V_{DS}=V_{GS}, I_D=250\mu A$	2.0	--	4.0	V
Pulse width $t_p \leq 300\mu s, \delta \leq 2\%$						

<b>Dynamic Characteristics</b>						
Symbol	Parameter	Test Conditions	Rating			Units
			Min.	Typ.	Max.	
$R_g$	Gate resistance	$V_{GS}=0V, V_{DS}=0V, f=1\text{MHz}$	--	1.1	--	$\Omega$
$C_{iss}$	Input Capacitance	$V_{GS}=0V, V_{DS}=50V, f=1.0\text{MHz}$	--	7902	--	pF
$C_{oss}$	Output Capacitance		--	746	--	
$C_{rss}$	Reverse Transfer Capacitance		--	504	--	

<b>Resistive Switching Characteristics</b>						
Symbol	Parameter	Test Conditions	Rating			Units
			Min.	Typ.	Max.	
$t_{d(ON)}$	Turn-on Delay Time	$V_{GS}=10V, R_G=2.7\Omega, V_{DD}=30V, I_D=75A$	--	40	--	ns
$t_r$	Rise Time		--	27.6	--	
$t_{d(OFF)}$	Turn-Off Delay Time		--	100.4	--	
$t_f$	Fall Time		--	29.2	--	
$Q_g$	Total Gate Charge	$V_{GS}=10V, V_{DD}=30V, I_D=75A$	--	163.8	--	nC
$Q_{gs}$	Gate to Source Charge		--	34	--	
$Q_{gd}$	Gate to Drain ("Miller") Charge		--	56.3	--	

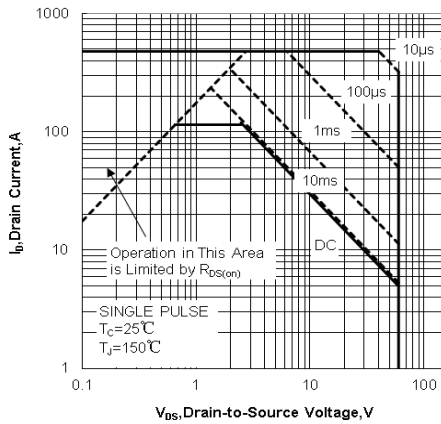
Source-Drain Diode Characteristics						
Symbol	Parameter	Test Conditions	Rating			Units
			Min.	Typ.	Max.	
$I_S$	Continuous Source Current (Body Diode)		--	--	120	A
$I_{SM}$	Maximum Pulsed Current (Body Diode)		--	--	480	A
$V_{SD}$	Diode Forward Voltage	$I_S=95A, V_{GS}=0V$	--	--	1.2	V
$t_{rr}$	Reverse Recovery Time	$I_S=75A, T_j = 25^\circ C$ $dI_F/dt=100A/us,$	--	66	--	ns
$Q_{rr}$	Reverse Recovery Charge		--	113.5	--	nC
$I_{RRM}$	Reverse Recovery Current		--	3.7	--	A
Pulse width $t_p \leq 300\mu s, \delta \leq 2\%$						

Symbol	Parameter	Max.	Units
$R_{\theta JC}$	Junction-to-Case	0.42	$^\circ C/W$
$R_{\theta JA}$	Junction-to-Ambient	62.5	$^\circ C/W$

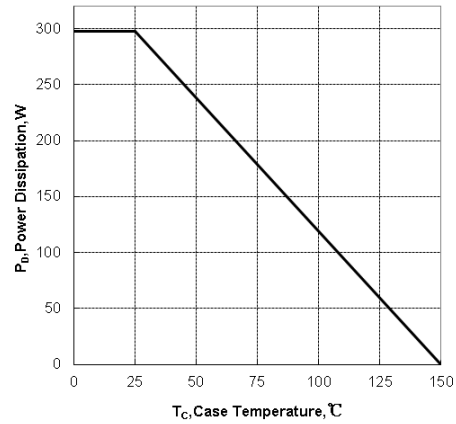
<sup>a1</sup>: Calculated continuous current based on maximum allowable junction temperature. Note that current limitations arising from heating of the device leads may occur with some lead mounting arrangements.

<sup>a2</sup>:  $L=0.5mH, I_D=66A, Start T_j=25^\circ C$

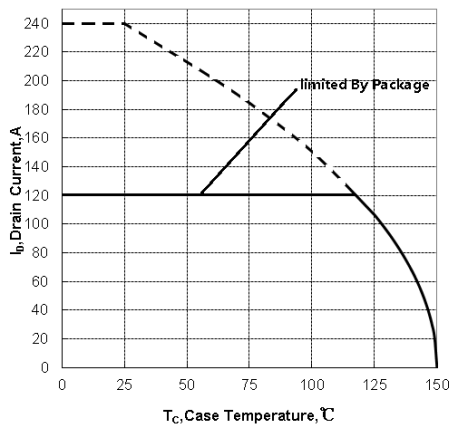
**Characteristics Curve:**



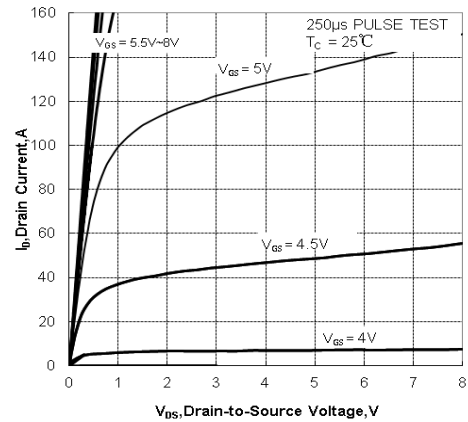
**Figure1. Maximum Forward Bias Safe Operating Area**



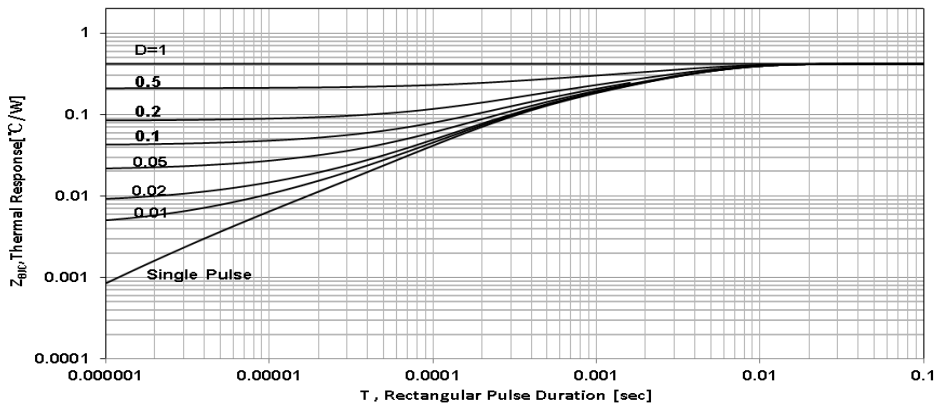
**Figure2. Maximum Power Dissipation vs Case Temperature**



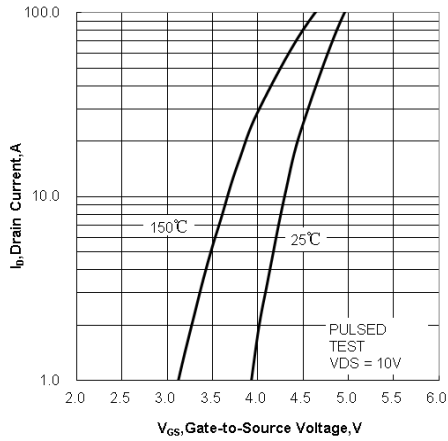
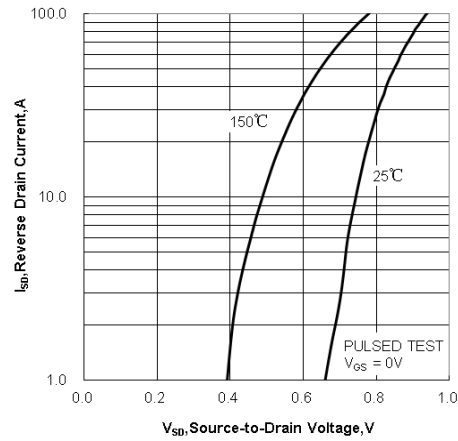
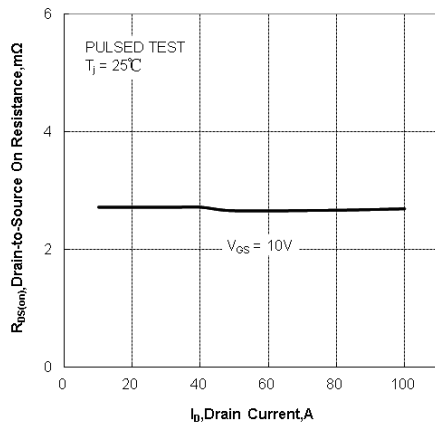
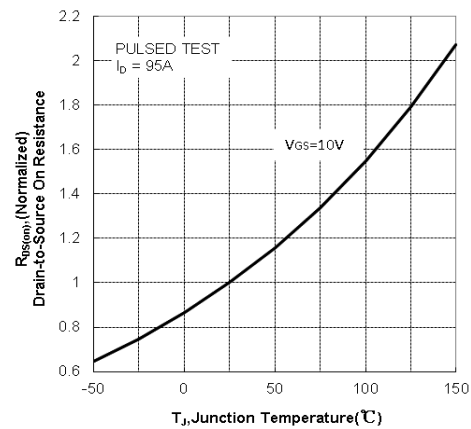
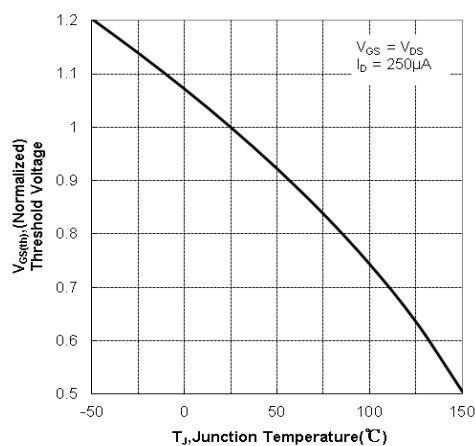
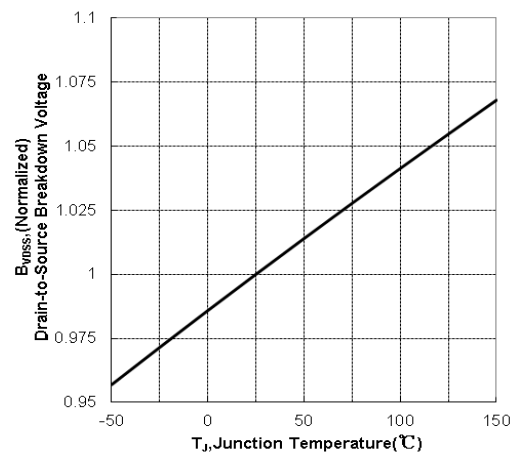
**Figure3. Maximum Continuous Drain Current vs Case Temperature**

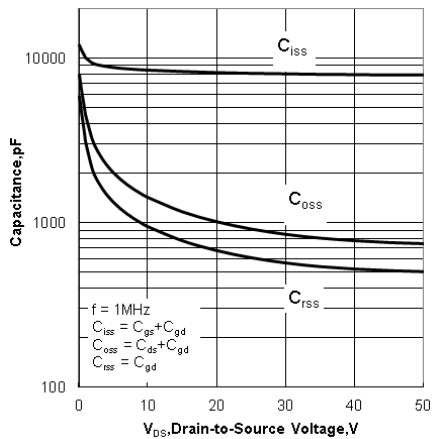


**Figure 4. Typical Output Characteristics**

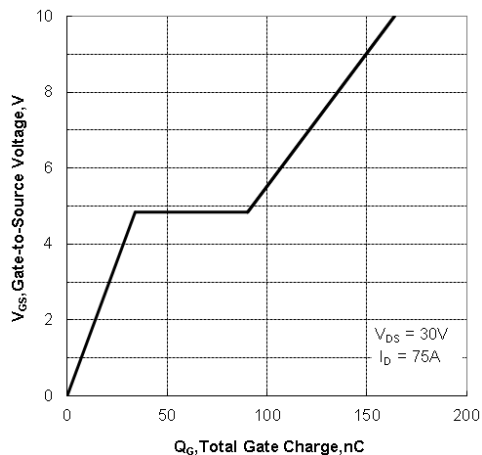


**Figure5. Maximum Effective Transient Thermal Impedance, Junction-to-Case**


**Figure 6. Typical Transfer Characteristics**

**Figure 7. Typical Body Diode Transfer Characteristics**

**Figure 8. Drain-to-Source On Resistance vs Drain Current**

**Figure 9. Normalized on Resistance vs Junction Temperature**

**Figure 10. Normalized Threshold Voltage vs Junction Temperature**

**Figure 11. Normalized Breakdown Voltage vs Junction Temperature**



**Figure12. Capacitance Characteristics**



**Figure13. Typical Gate Charge vs Gate to Source Voltage**

**Test Circuit and Waveform**

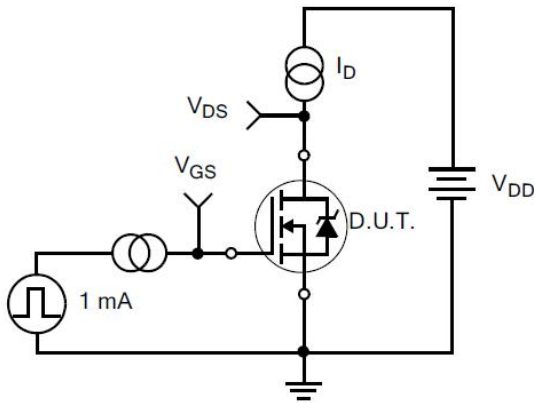


Figure 14. Gate Charge Test Circuit

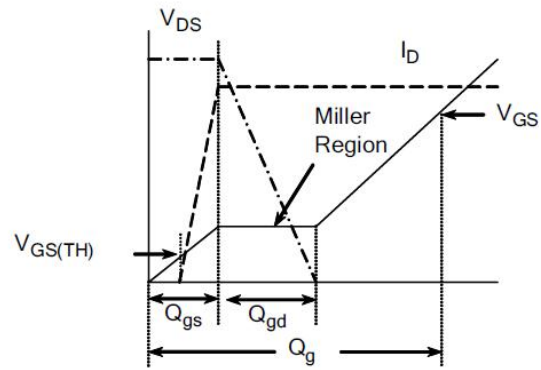


Figure 15. Gate Charge Waveforms

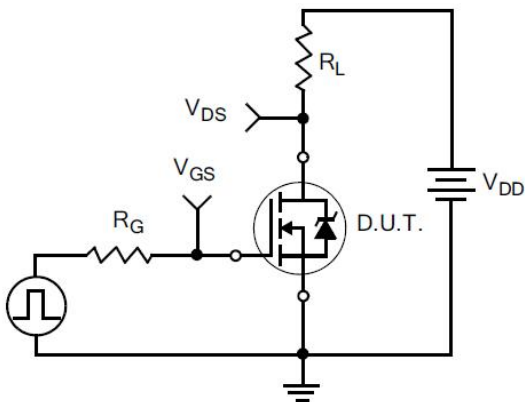


Figure 16. Resistive Switching Test Circuit

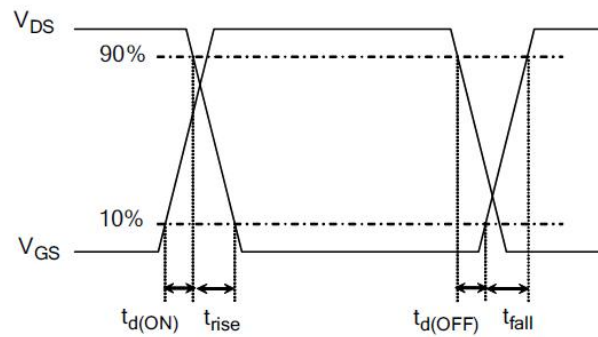


Figure 17. Resistive Switching Waveforms

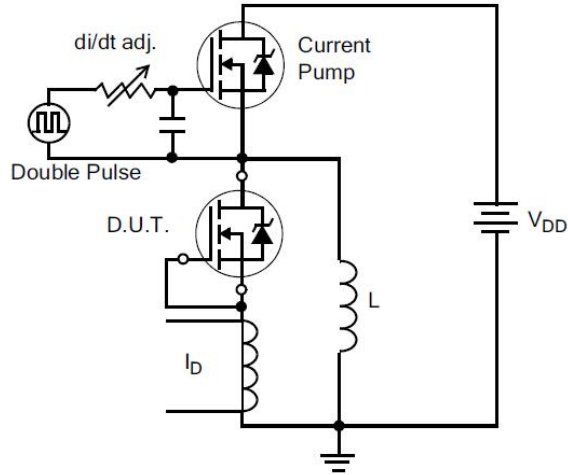


Figure 18. Diode Reverse Recovery Test Circuit

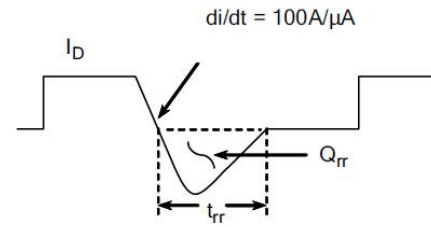


Figure 19. Diode Reverse Recovery Waveform

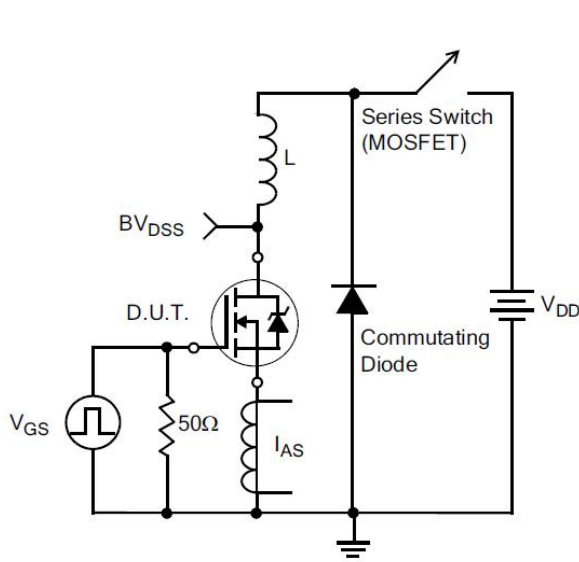


Figure 20. Unclamped Inductive Switching Test Circuit

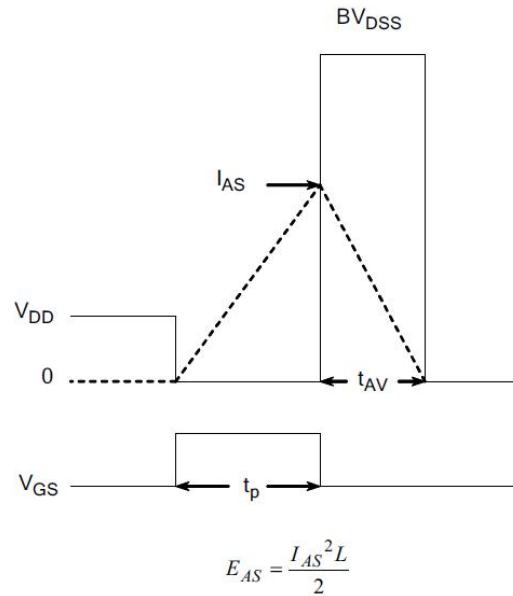
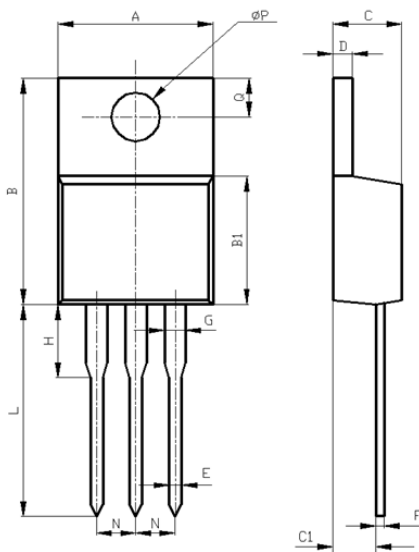


Figure 21. Unclamped Inductive Switching Waveform



**Package Information:**


Items	Values(mm)	
	MIN	MAX
A	9.60	10.6
B	15.0	16.0
B1	8.90	9.50
C	4.30	4.80
C1	2.30	3.10
D	1.20	1.40
E	0.70	0.90
F	0.30	0.60
G	1.17	1.37
H	2.70	3.80
L*	12.6	14.8
N	2.34	2.74
Q	2.40	3.00
φ P	3.50	3.90

\*adjustable

TO-220AB Package