
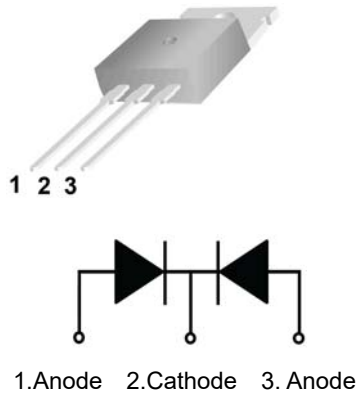


<p><b>MUR2005CT-MUR2060CT</b></p> <p><b>Features:</b></p> <ul style="list-style-type: none"> <li><input type="checkbox"/> High surge capacity</li> <li><input type="checkbox"/> Low Forward Voltage Drop.</li> <li><input type="checkbox"/> High Current Capability.</li> <li><input type="checkbox"/> Super Fast Switching Speed For High Efficiency</li> </ul>	<p>TO-220 </p>  <p>1.Anode 2.Cathode 3. Anode</p>
--	--

**Absolute Maximum Ratings** (Ta=25°C unless otherwise noted)

Parameter	Symbol	MUR 2005CT	MUR 2010CT	MUR 2015CT	MUR 2020CT	MUR 2030CT	MUR 2040CT	MUR 2060CT	Unit
Maximum recurrent peak reverse voltage	$V_{RRM}$	50	100	150	200	300	400	600	V
Maximum RMS Voltage	$V_{RMS}$	35	70	105	140	210	280	420	V
Maximum DC Blocking Voltage	$V_{R(DC)}$	50	100	150	200	300	400	600	V
Average Rectified Forward Current Total Device, (Rated $V_R$ ),	$I_{F(AV)}$	20							A
Nonrepetitive Peak Surge Current(Surge applied at rated load conditions half wave, single phase, 60 Hz)	$I_{FSM}$	200							A
Operating Junction Temperature and Storage Temperature	$T_J, T_{stg}$	-55 to +155							°C
Maximum Thermal Resistance, Junction-to-Case	$R_{\theta JC}$	3.0				2.0			°C/W

**ELECTRICAL CHARACTERISTICS**

Parameter	Symbol	MUR 2005CT	MUR 2010CT	MUR 2015CT	MUR 2020CT	MUR 2030CT	MUR 2040CT	MUR 2060CT	Unit
Forward Voltage ( $I_F = 20A, T_C = 25^\circ C$ ) (Note 1) ( $I_F = 20A, T_C = 125^\circ C$ )	$V_F$	0.975 0.895			1.30 1.10		1.70 1.50		V
Maximum Instantaneous Reverse Current (Note 1) (Rated DC Voltage, $T_C = 25^\circ C$ ) (Rated DC Voltage, $T_C = 125^\circ C$ )	$I_R$	5 250			10 500			$\mu A$	
Maximum Reverse Recovery Time ( $I_F = 0.5A, I_R = 1.0A, I_{REC} = 0.25A$ )	$T_{RR}$	35							ns

 Note 1.Pulse Test: Pulse Width = 300  $\mu$ s, Duty Cycle  $\leq 2.0\%$

**Typical Characteristics**

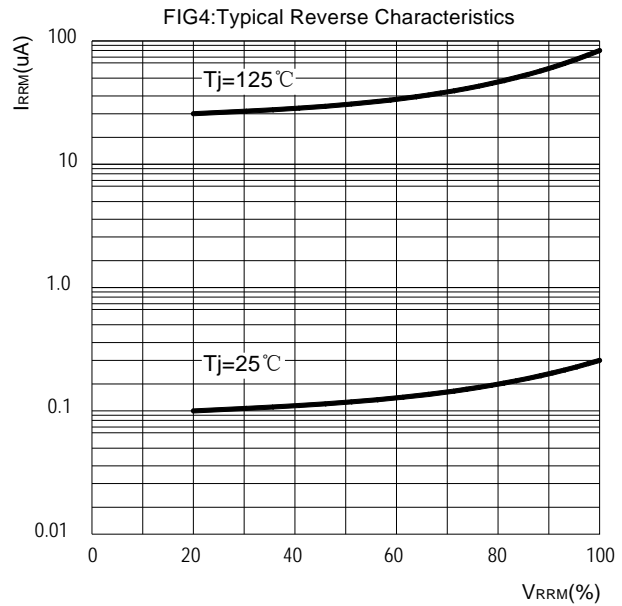
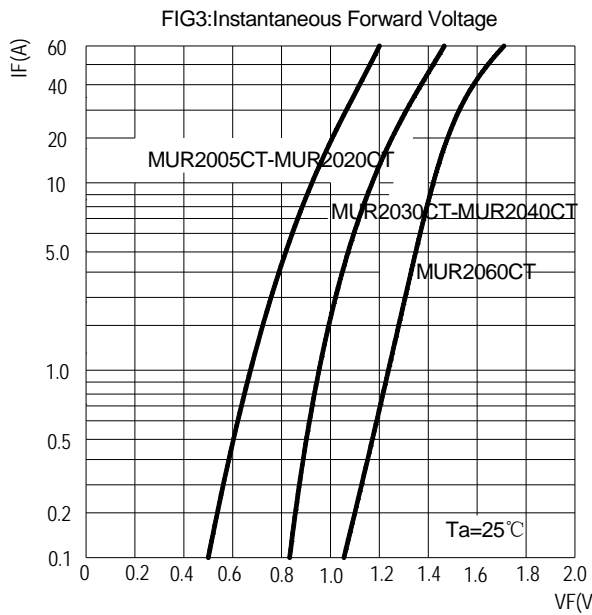
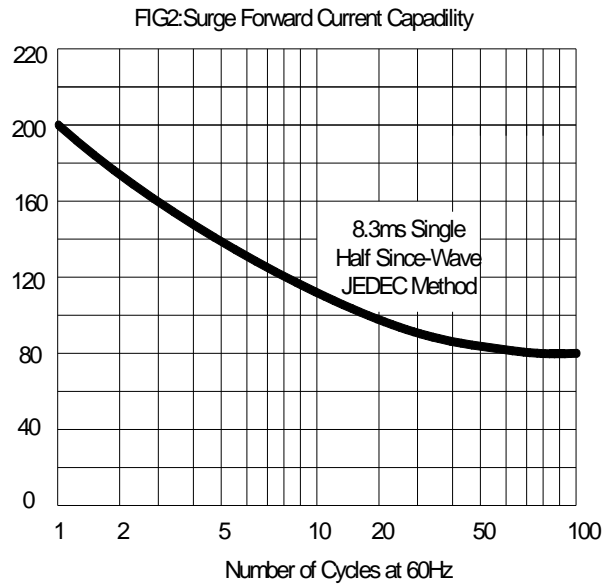
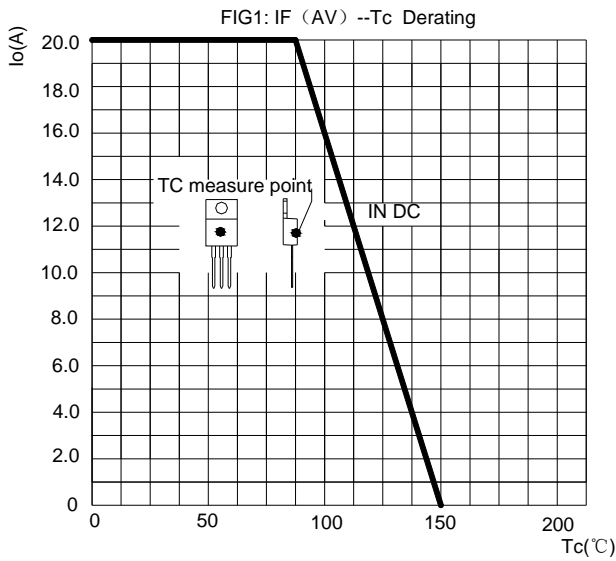
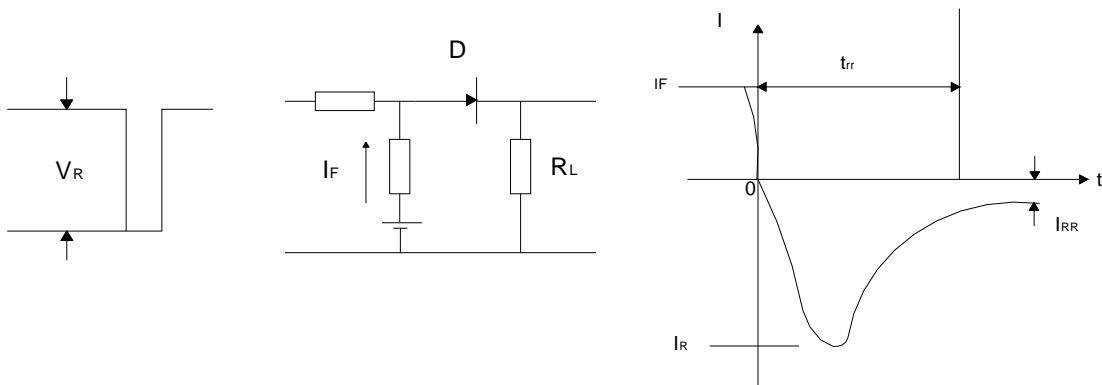


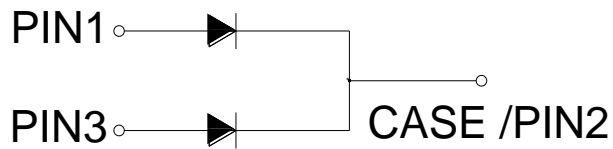
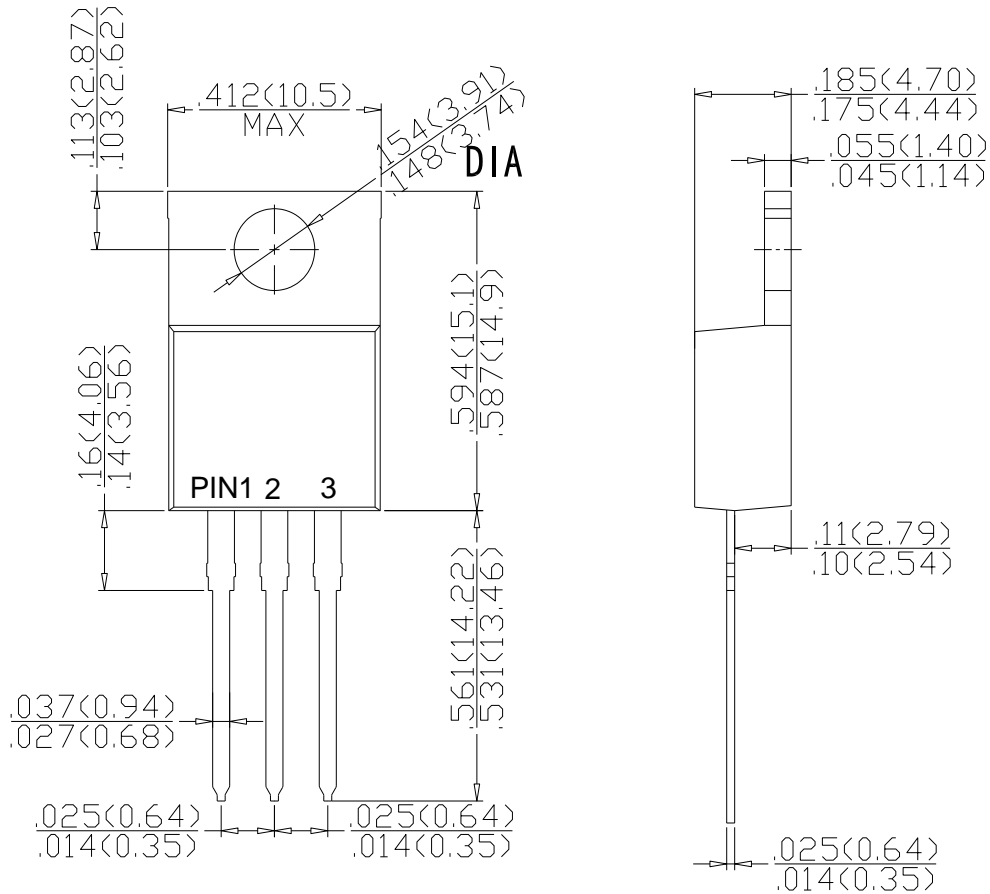
FIG.5: Diagram of circuit and Testing wave form of reverse recovery time



**Package Dimension**

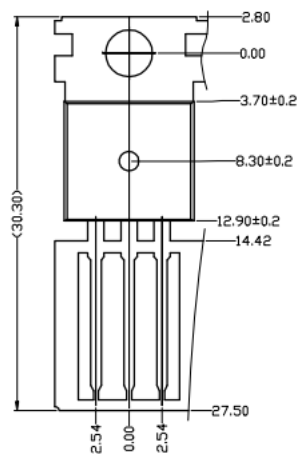
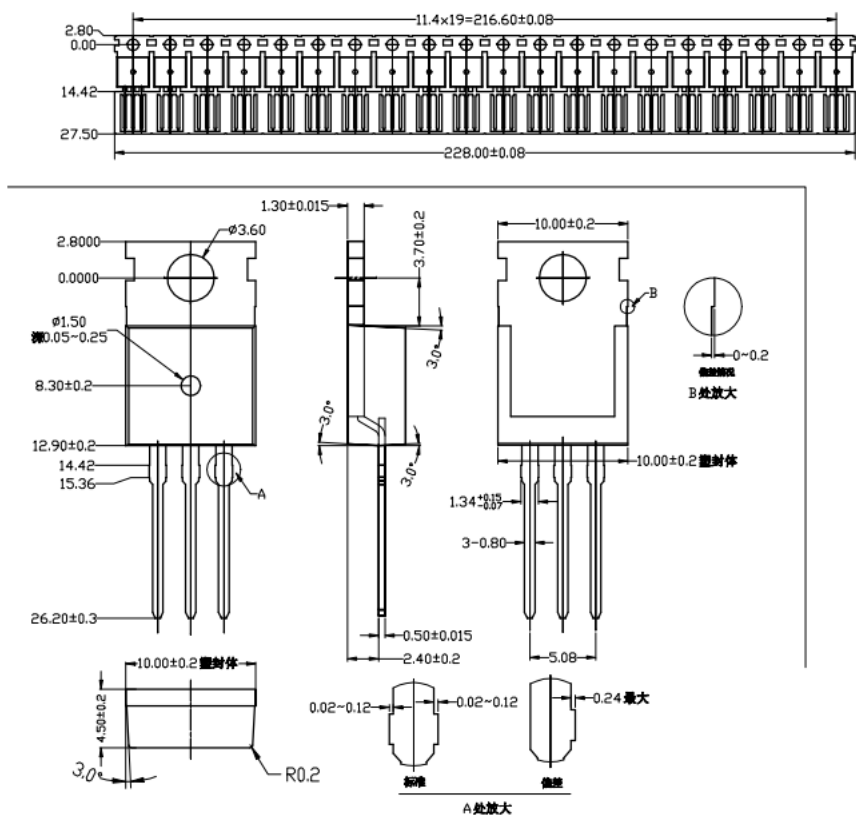
模具1

TO-220



Dimensions in inches and (millimeters)

# 模具2



1. 塑封体均为光面